



MU-Analog-65

Ringbalance Differential Pressure Transmitter converts draft, pressure and differential pressure into standard output signals of 0-20mA, 4-20mA and 0-10V

MU-Analog-65-2L

Ringbalance Differential Pressure Transmitter "Loop-Powered" (2-wire) version

Display	large display, 150x150mm (6" x 6")
Measuring System	Ringbalance principle
Measuring Pickup	Magnetic field sensor
Measuring Ranges	from 0...40 Pa to 0...1.8 kPa (0.15" W.C.- 7" W.C.) - see next page -
Scale Units	Pa, kPa, daPa, mbar, mmWS, mmCE, in.W.C.
Ambient Temp.	0 . . . +50 °C (32 - 122 °F)
Accuracy	max. error +/-1.5% of span, or +/-1.5 Pa
Housing	wall mounting, IP65 (see next page)
Electrical Outputs	2-wire version: 4-20 mA; max. load at U=24V: 600 Ohm 4-wire version: 0-20 mA; 4-20 mA; 0-10 V max. load: 680 Ohm (mA-outputs) respectively min. 2kOhm (V-output)
Power Supply	2-wire version: 24VDC (12-28V DC) 4-wire version: 230 VAC; also available: 24/110/120/240/24 V AC 24VDC (at additional price)
EMV / CE	Electromagnetic Compatibility according to EN50081-2 (Emission) and EN50082-2 (Immunity)

Types

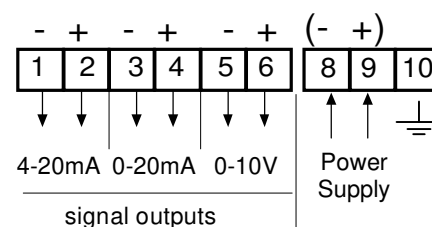
MU-Analog-65	4-wire version
MU-Analog-65-2L	2-wire version

Order specifications	1. Type
	2. Measuring range
	3. Power supply

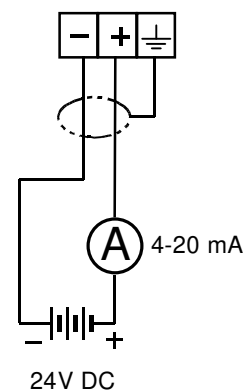
Factory Calibration Certificate included



Terminal Diagram: MU-Analog-65



Terminal Diagram: MU-Analog-65-2L



Measuring Ranges
(examples)

Pressure, draft, differential pressure:

- 0.....40 Pa
- 0.....50 Pa
- 0.....60 Pa
- 0.....80 Pa
- 0.....100 Pa
- 0.....150 Pa
- 0.....200 Pa
- 0.....250 Pa
- 0.....300 Pa
- 0.....500 Pa
- 0.....600 Pa
- 0.....700 Pa
- 0.....800 Pa
- 0.....1.000 Pa
- 0.....1.200 Pa
- 0.....1.500 Pa
- 0.....1.800 Pa

Pressure / draft ranges:

- 200+20 Pa
- 250+25 Pa
- 500+50 Pa
- 100.....0+100 Pa
- 250.....0+250 Pa
- 500.....0+500 Pa

- 100+40 Pa
- 400+10 Pa
- 300+10 Pa
- 100+30 Pa
- 200+80 Pa
- 800+20 Pa

Further units available (at no additional price):

- mbar,
- mmWS,
- mmW.C.
- in.W.C.
- mmCE
-

Filling Fluids

Note: All Ringbalance instruments are factory-filled. The type of oil need not be mentioned in the order.

"Mineral Oil" density 0,8 kg/l;
for ranges up to +/-700 Pa
max. overload: +/-900 Pa

"Synthetic Oil" density 1,9 kg/l;
for ranges over +/-700 Pa
max. overload +/-2,1 kPa

Overload Protection

Every Ringbalance is inherently protected to at least +/-900 Pa (3.5"W.C.), even it has, for example, a measuring range of only 0-40 Pa (0.15"W.C.).

With the synthetic oil filling fluid, the Ringbalance is inherently protected to +/-2.1 kPa (8"W.C.).

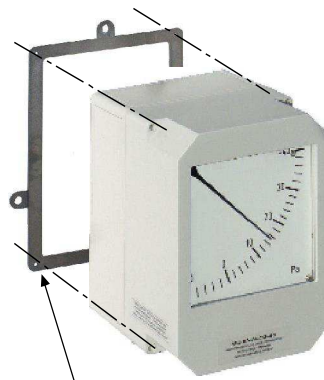
If those limits (900 Pa / 2.1 kPa) are expected to be exceeded in the specific application, the Overload Protection Device "DZ" is available as an option on all Ringbalances.

Housing

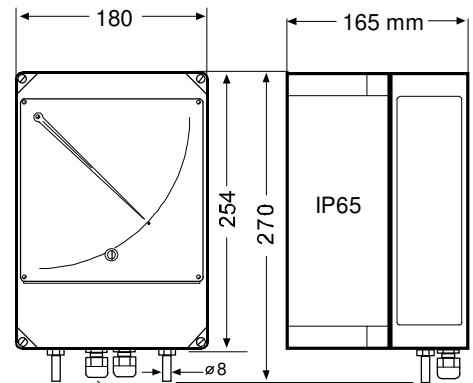
for wall mounting, IP65, glass reinforced polycarbonate, light grey

Hardened front glass pane.

Mounting either through inner screw channels, or with the aid of the attached mounting frame



Mounting Frame



PG9 with strain relief

Rixen GmbH & Co KG

Kornweg 1

D-44805 Bochum

Phone: +49 (0)234 86790

Fax: +49 (0)234 850130

eMail: rixen@online.de