

Ringbalance RW65

measuring draft, pressure, differential pressure, and flow;
optional: with contacts

Display	large display, 150x150mm (6"x6")
Measuring Ranges	from 0...40 Pa to 0...1.8 kPa (0.15" W.C.-7" W.C.) - see next page -
Scale Units	Pa, kPa, daPa, mbar, mmWS, mmCE, in.W.C.
Accuracy	max. error +/-1.5% of span, or +/-1.5 Pa
Ambient temp.	-20...0 . . . +50 °C (-4...+122 °F)
Housing	wall mounting IP65 (see next page)

Option: Inductive Contacts

Inductive sensors according to NAMUR / ATEX [EEx ia IIC T6],
Turck or Pepperl & Fuchs, type "N" ("SN" also available)

1xMin	Type	IK1/0
1xMax	Type	IK0/1
2xMin	Type	IK2/0
1xMin / 1xMax	Type	IK1/1
"Min"- function:	vane dips into slot at decreasing pressure	
"Max"-function:	vane dips into slot at increasing pressure	

Isolation Switch Amplifier (Turck)

housing for snap-in on DIN-rail, 18mm wide, universal power supply

IM1-121Ex-R single-channel, for 1 Inductive sensor

IM1-22Ex-R dual channel, for 2 Inductive sensors

Option: Mechanical Contacts

Applicable for ranges above 200 Pa, only

Contacts rated at 30W / 50VA; max. 250V. Hysteresis 1-2%

1x Min	MK1/0	contact closing at decreasing pressure
1x Max	MK0/1	contact closing at increasing pressure
Min / Min	MK2/0	both closing at decreasing pressure
Max / Max	MK0/2	both closing at increasing pressure
Min / Max	MK1/1	1x opens 1x closes

Type RW65

Order Specifications

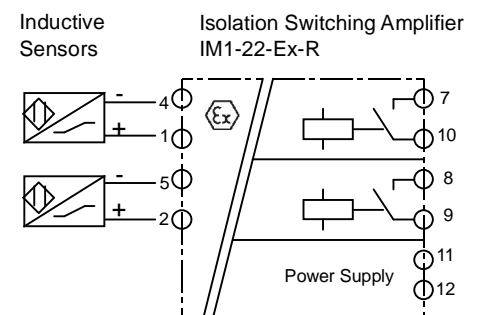
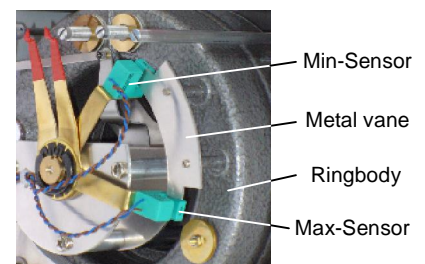
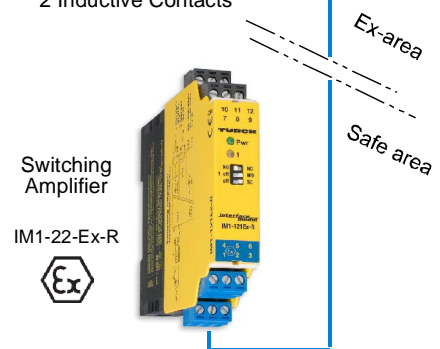
1. Type: RW65
2. Measuring range
3. Options (IK... MK...)

Example RW65 - (-25/0/+25 Pa) - IK1/1

Setpoint adjustment (contacts)



RW65 with
2 Inductive Contacts



Measuring Ranges, Filling Fluids Overload Limits

Measuring Ranges

(examples)

Pressure, draft, differential pressure:

040 Pa
 050 Pa
 060 Pa
 080 Pa
 0100 Pa
 0150 Pa
 0200 Pa
 0250 Pa
 0300 Pa
 0500 Pa
 0600 Pa
 0700 Pa
 0800 Pa
 01.000 Pa
 01.200 Pa
 01.500 Pa
 01.800 Pa

Pressure / draft ranges:

-200+20 Pa
 -250+25 Pa
 -500+50 Pa
 -1000+100 Pa
 -2500+250 Pa
 -5000+500 Pa

-100+40 Pa
 -400+10 Pa
 -300+10 Pa
 -100+30 Pa
 -200+80 Pa
 -800+20 Pa

Further units available (no extra charge):

mbar,
 mmWS,
 mmW.C.
 in.W.C.
 mmCE

Filling Fluids

Note: All Ringbalance instruments are factory-filled. The type of oil need not be mentioned in the order.

"Mineral Oil" density 0,8 kg/l;
 for ranges up to +/-700 Pa
 max. overload: +/-900 Pa

"Synthetic Oil" density 1,9 kg/l;
 for ranges over +/-700 Pa
 max. overload +/-2,1 kPa

Overload Protection

Every Ringbalance is inherently protected to at least +/-900 Pa (3.5"W.C.), even it has, for example, a measuring range of only 0-40 Pa (0.15"W.C.).

With the synthetic oil filling fluid, the Ringbalance is inherently protected to +/-2.1 kPa (8"W.C.).

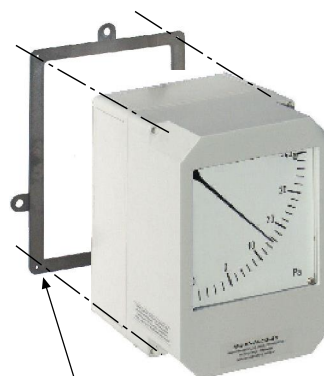
If those limits (900 Pa / 2.1 kPa) are expected to be exceeded in the specific application, the Overload Protection Device "DZ" is available as an option on all Ringbalances.

Housing

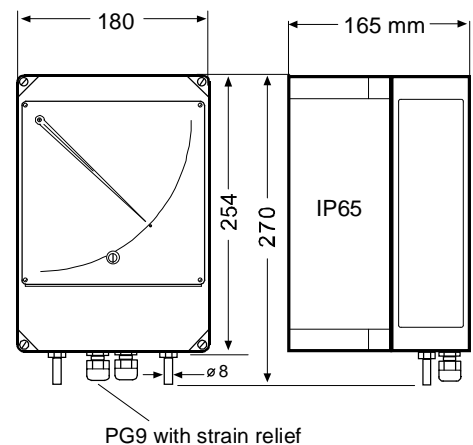
for wall mounting, IP65, glass reinforced polycarbonate, light grey

Hardened front glass pane.

Mounting either through inner screw channels, or with the aid of the attached mounting frame



Mounting Frame



PG9 with strain relief

Rixen GmbH & Co KG
 Kornweg 1

D-44805 Bochum
 Phone: +49 (0)234 86790
 Fax: +49 (0)234 850130
 eMail: rixen@online.de