



- Read these instructions carefully before use.
- This instrument must be installed by qualified personnel, only.
- Observe the stated power supply voltage.
- Do not blow into the pressure ports.
- This instrument contains filling fluid: do not remove from the wall with opened valves!
- Do not use with combustible gas!

Description

The RW65 measuring instrument converts pressure, draft or differential pressure of non combustible gases, mainly air, into the standard electronic signal of 4-20mA.

1. Mounting

Loosen cover fastening screws **E** and remove cover. Attach the instrument on the wall through the mounting holes **X**. Mount the instrument in an **exactly upright** position (see fig.2).

2. Valves

Open both valves **V** by turning both screws fully(!) counter-clockwise (do **not** open the valves before the instrument is mounted!).



Important: Incompletely opened valves will cause measuring errors!

3. Locking device

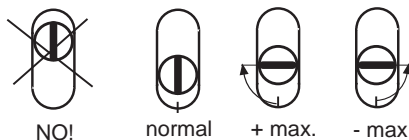
Turn locking screw **A** fully counter-clockwise. The pointer should move to the zero position, now.

4. Mechanical Zero Correction

For zero setting, both of the external pressure connections (p+/p-) and both of the valves (V) must be fully opened.

If necessary, correct zero-setting of pointer: turn screw **N** max. +/-90°.

Positions of Zero Screw **N**:



5. Make electrical connections

Connect the power supply (loop-powered: 24V DC) according to the terminal diagram.

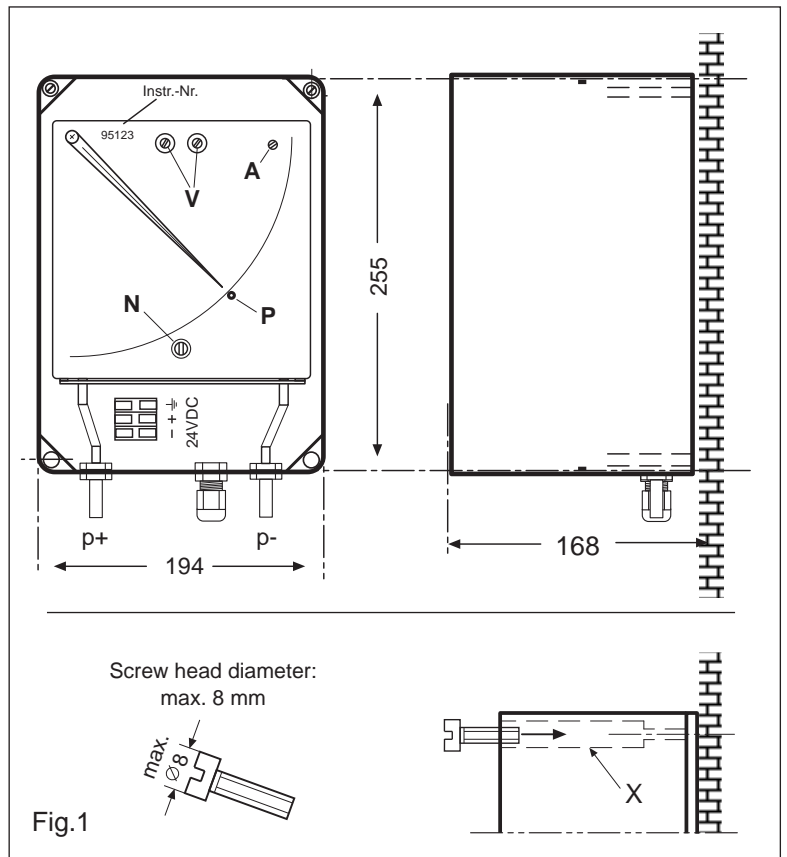


Fig.1

- E** Cover fastening screws (4x)
- V** Valves (do **not** open before instrument is mounted!)
- A** Locking screw
- N** Mechanical zero correction
- P** Pointer locking position (red dot)

Instr.-N°

When inquiring about your Ringbalance, please include the serial number. This information will assist us in determining all technical specifications of your instrument.

6. Close housing

Close housing and fasten cover with screws **E**.

7. Make process connections

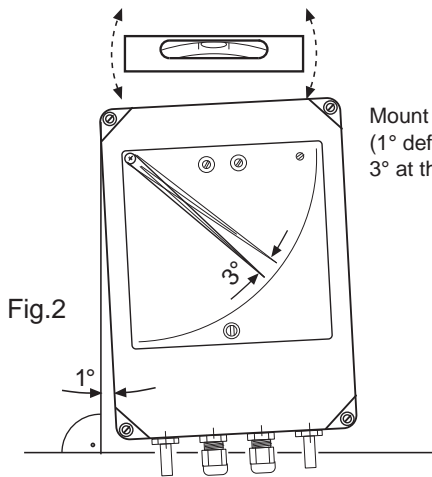
- Pressure** left fitting (p+)
- Draft** right fitting (p-)
- Differential pressure** higher pressure on the left (p+)
lower pressure on the right (p-)
- Draft-/Pressure** (e.g. -25/0/+25 Pa) left pressure port

Differential Pressure Transmitter RW 65 EX II

Loop-powered (2-wire) version

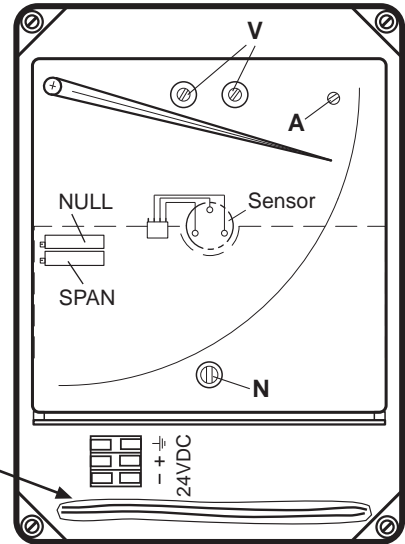
Installation Instructions

-2-



Mount the instrument exactly upright!
(1° deflection of the housing causes
3° at the pointer).

Place the instructions here!
Do not stow beside or above the
ringbody. This would obstruct free
rotation of the ringbody.



Technical Data

Ringbalance measuring system; factory-filled ringbody, supported by two ball-bearing

Process Connections

2 fittings for flexible tubes, 8 mm outside diameter

Housing

for wall mounting, protection class IP65, glass reinforced polycarbonate, light grey; weight: approximately 3 kg

Accuracy

max. error +/-1,5% of span or +/-1,5 Pa

Power supply (closed loop)

U=10...28V DC

Loop-powered (2-wire-) version

Electrical output

4-20 mA

Max. output load

$R=(U-12V)/0.02A$; (e.g.: 600 ohms at 24V)

Operational Temperature

-20 ... 50 °C (32 ... 122°F)

Measuring Pickup

Magnetic filed sensor, non-contact, with infinite resolution

Electromagnetic Compatibility

According to 2014/30 EU

ATEX

II 1G Ex ia IIC T4 Ga

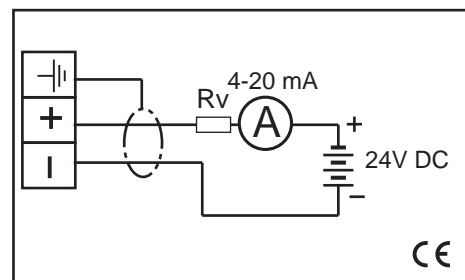
II 1D Ex ia IIIC T135°C Da

Ui= 29V, Ii= 107mA

N Mechanical (pointer-) Zero adjustment
A Pointer locking device
V Valves (do not open before instrument is mounted on the wall!)

***NULL** Electrical Zero adjustment
***SPAN** Electrical Span adjustment
*do not change factory settings!

Terminal Diagram



Before Transporting

The Ringbalance instrument contains filling fluid. Before dismantling or transporting, lock down the ringbody with screw A (while the pointer is held on the dot P), and close both valves V.

The Ringbalance Measuring Principle

-3-

Principle

A hollow ring, free to rotate on bearings and half filled with fluid, is divided by partition wall (T) into two chambers. Positive, and negative or differential pressure are applied to the ringbody chambers via flexible tubes. The pressure differential across the dividing wall causes the ringbody to rotate until an equilibrium is reached with counterweight (G).

Filling Fluid

Since the differential pressure is ultimately balanced by the counterweight, it follows that neither the quantity nor the density of the filling fluid play a role in the actual measurement. However, these two factors are subject to the following criteria:

Maximum Quantity: the ringbody should be filled up to the filling opening (see fig.4).

Minimum Quantity: if oil spills out because of improper operation or handling (overpressure; tipping over, etc.), the instrument **must be checked** to confirm that the maximum measuring range value can still be reached:

Quantity Check:

Carefully (!) pressurize the instrument (beware of excessive pressure!). If the maximum of the measuring range can be reached, no oil should be added. However, if the applied pressure comes out of the other pressure connection, and results in "bubbling-through" (figure 3) **before** the maximum range is reached, oil of the same type must be added.



Stop pressurizing when the maximum range is reached ! Watch the scale reading !

Density (specific gravity)

Although the density of the filling fluid has no direct influence on the actual measurement, it must meet certain criteria. A light oil is suitable for low ranges. For higher ranges, the specific gravity is more critical, since an oil which is too light would experience a large level change and overflow into the flexible tubes before the pointer reaches the maximum value.

Mineral Oil

density 0.8kg/l, overload point at 1 kPa (4" W.C.)
max. range 700 Pa

Synthetic Oil

density 1.9 kg/l, overload point at 2 kPa (8" W.C.)
max. range 1.8 kPa (7" W.C.)

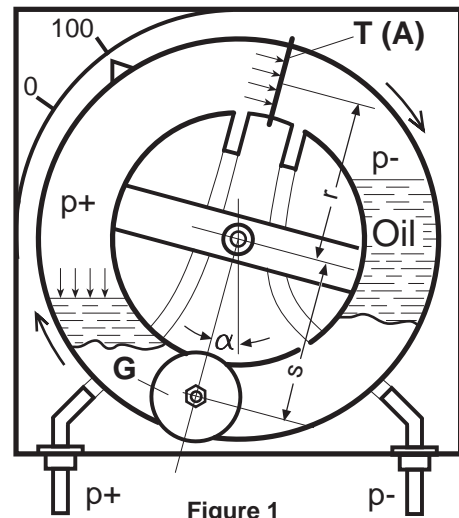


Figure 1

$$\Delta p = \frac{G \times s}{A \times r} \sin \alpha$$

Δp .. Differential Pressure [Pa]

G Counterweight [N]

A Area of partition wall T [m²]

r Average Ringbody Radius [m]

s Counterweight Moment Arm [m]

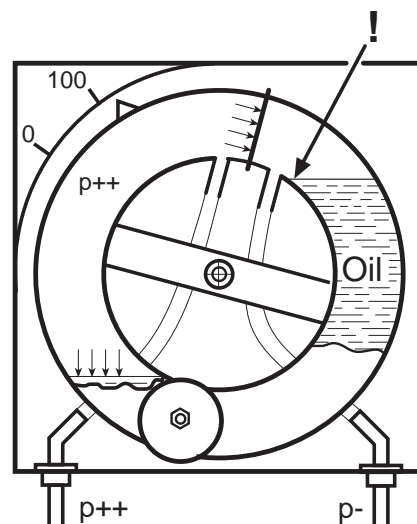


Figure 2

(near the overflow point)

Refilling / Overload / Functional Check

-4-

Refilling (figure 4)

In the event that the filling fluid has to be replenished, remove the filling plug (**F**) and add fluid, using a funnel and tube, until the fluid comes out of the filling opening.

The Ringbalance must be in its normal upright position during this process, and the ringbody valves (**V**) and pneumatic lines must be **open**.

Overload

The calibration of a Ringbalance instrument is determined by the mass of the counterweight, which is accurately adjusted at the factory.

A counterweight cannot "age" or become "overloaded" Therefore, Ringbalances can occasionally be loaded to the maximum and even overloaded without affecting their mechanical calibration.

The critical point is reached when the oil rises so high that it overflows into the flexible tube.

This **overflow point** (fig. 2) is actually determined by the density of the fluid used, not by the measuring range.

For example, a Ringbalance filled with mineral oil (density 0.8kg/l) is protected to 1 kPa (4" W.C.), even if it has a range of only 0-50 Pa (0.2" W.C.).

With synthetic oil (1.9 kg/l), the Ringbalance is protected to 2 kPa (8" W.C.).

If higher pressures are expected, a special protective device must be installed (type "DZ1").

Functional Check

If, through any circumstances, a part of the filling fluid spills out, the following functional check is recommended:

First, determine if the maximum measuring range is reached or if some oil must be added (see section above: "**Quantity Check**"). Refill, if necessary.

Next, determine if the Ringbalance is **correctly zeroed** (see above: "**Zero Correction**").

The Ringbalance is most likely to be functioning correctly when:

1. **the maximum value can be reached**
2. **when the instrument can be exactly "zeroed"**

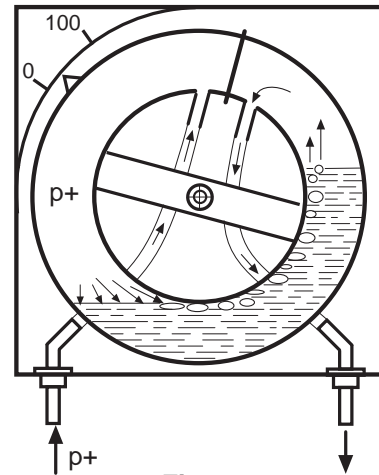


Figure 3
("Bubbling through")

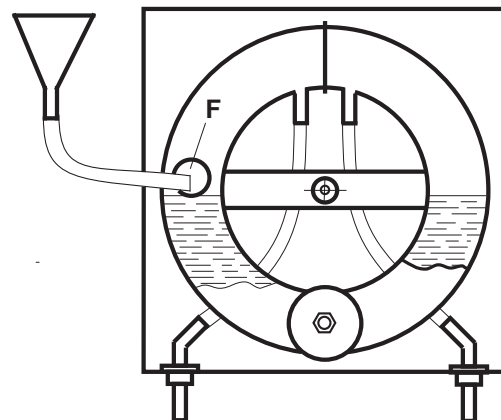


Figure 4:
(Replenishing the filling fluid)

RIXEN Messtechnik GmbH & Co KG

Kornweg 1

D-44805 Bochum (GERMANY)

Tel.: +49 (0)234 86790 ~ Fax: +49 (0)234 850130

eMail: rixen@online.de

www.rixen-gmbh.de

