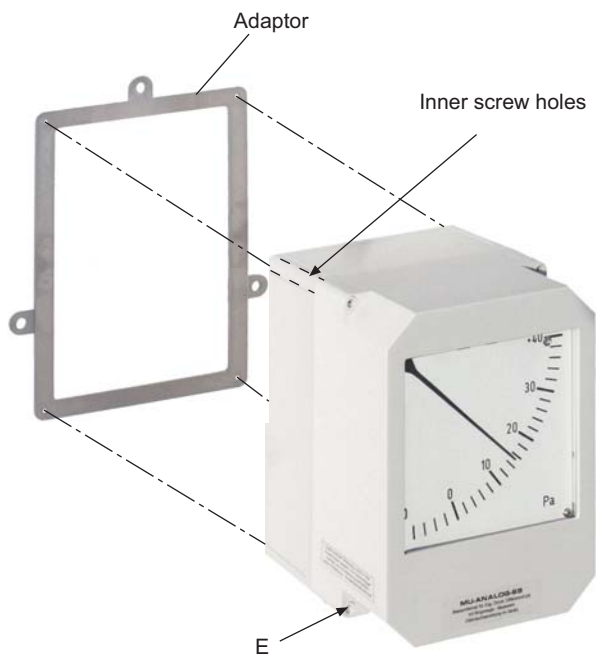





Mounting of the Ringbalance



Contents:

- 1 x Adaptor Frame (black Polycarbonate)
- 4 x self-tapping Screws, M4x12 (V2A)
(to fix the housing at the adaptor)
- 1x 
- 4 x Plastic wall-plugs (screw-anchors) S6
- 4 x Screws for wall-plugs V2A, 4,0x40
(to fix the instrument directly at the wall, without the adaptor frame)
- 4x 
- 3 x Washers 5/15
- 3x 

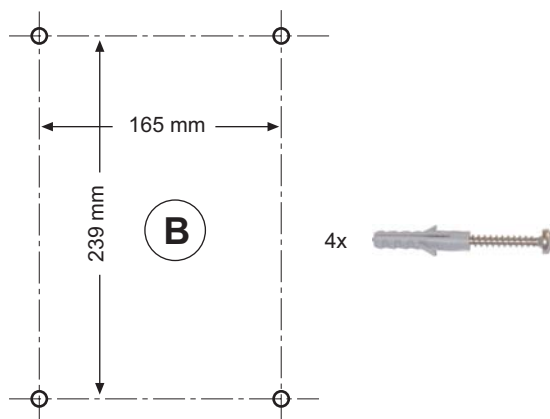
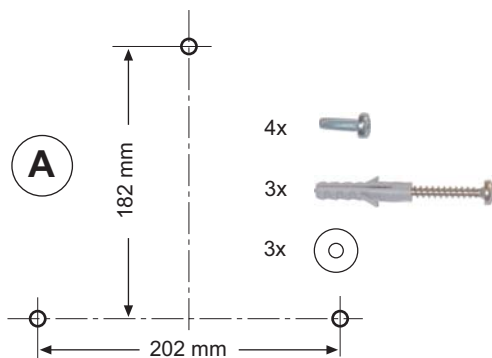
Two alternatives to mount the instrument at the wall:

A. With the aid of the adaptor frame

Hold the frame exactly horizontally at the wall, mark the positions of the three suspension lugs, drill holes and stick the plastic wall-plugs into the wall.

Now remove the cover (screws E) and fix the housing at the frame, by using the four M4x12mm self-tapping screws

Finally, attach the complete unit at the wall, using the wall-plugs, the plug-screws and washers.



B. Direct mount without the adaptor frame

At first, drill 4 holes in the wall, using the attached **drilling-plan**, and insert the plastic screw-anchors (wall-plugs).

Remove the cover of the housing (unscrew E) and fix the unit directly at the wall, taking the **4,0x40 screws**.